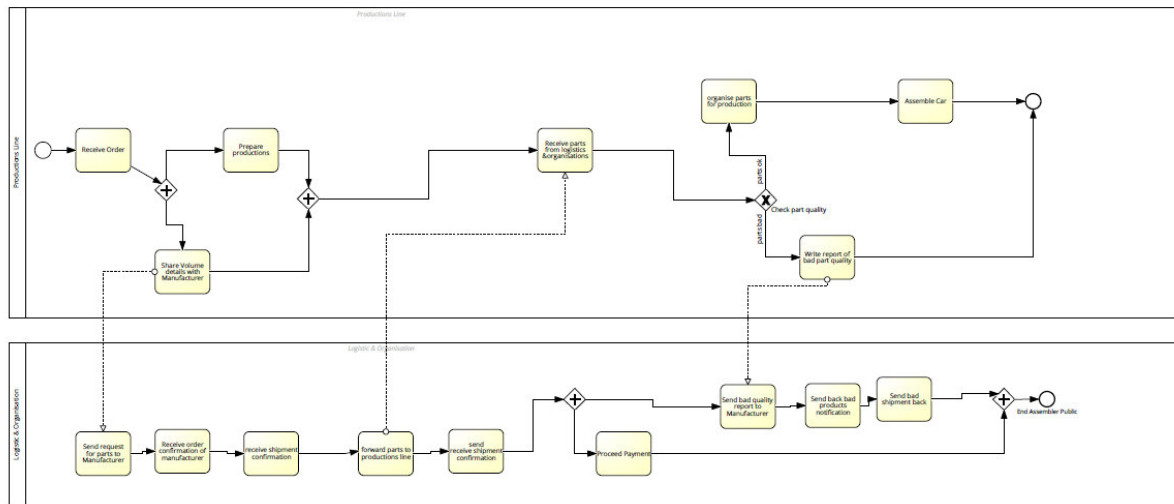


- Improve supply chain time by 5%
- Cut Global costs by 4%
- Raise the quality and lower the returned shipments to 3%

1. Change Just in time

I decided to introduce a “just in time” order process with no significant parts on stock for a production.

Change 2 just in time



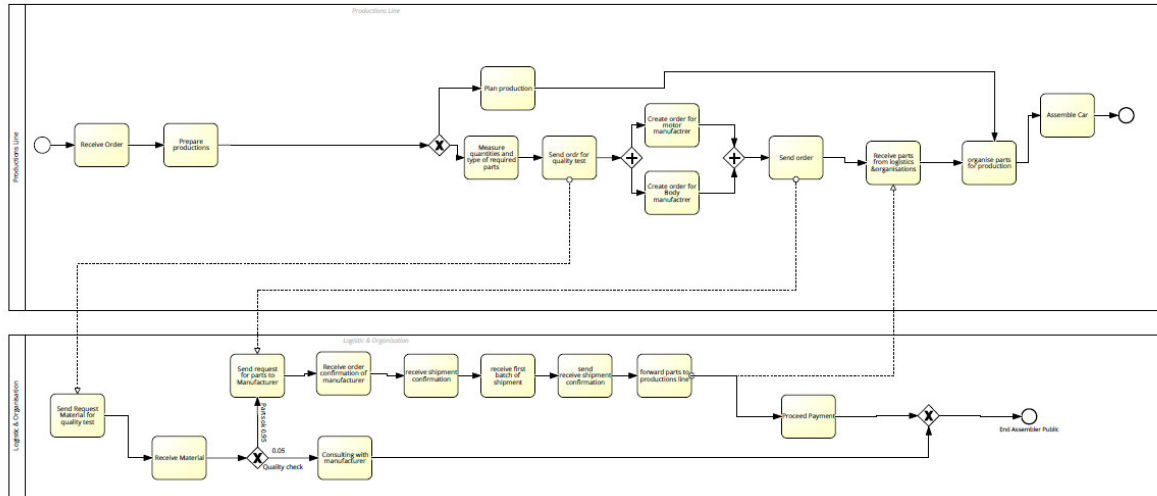
This will cut down the time for the order and delivery process.

2. Quality Cooperation

To improve the Quality of delivered Parts I Introduced a cooperation between the manufacturer and the assembler. So it will cut down the cost for returning shipments and

raise the quality.

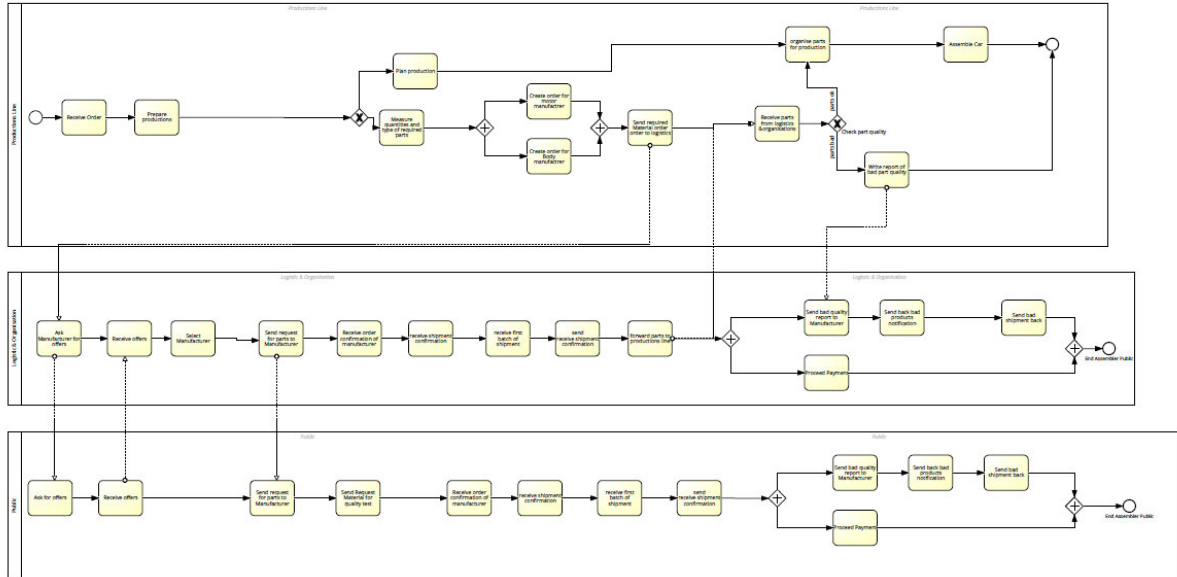
Change Quality Cooperation



3. Bidding

To cut the global costs and reduce price for parts I introduce a bidding, so the manufacturer will offer a price before we order. Therefore the Manufacturer act as competitors and the most valuable offer will get the order.

Change 3 bidding

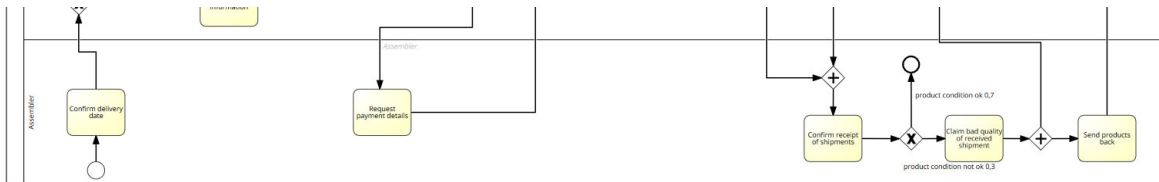


Changes affecting assembler

Affected by other changes

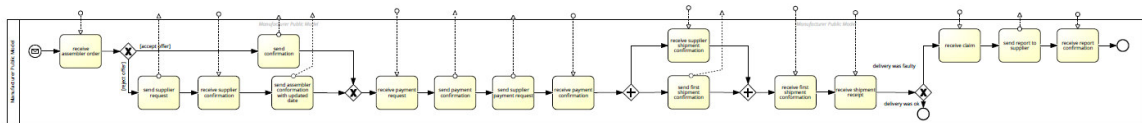
Manufacturer “tamas”

processes cancelled so the order process will be faster.



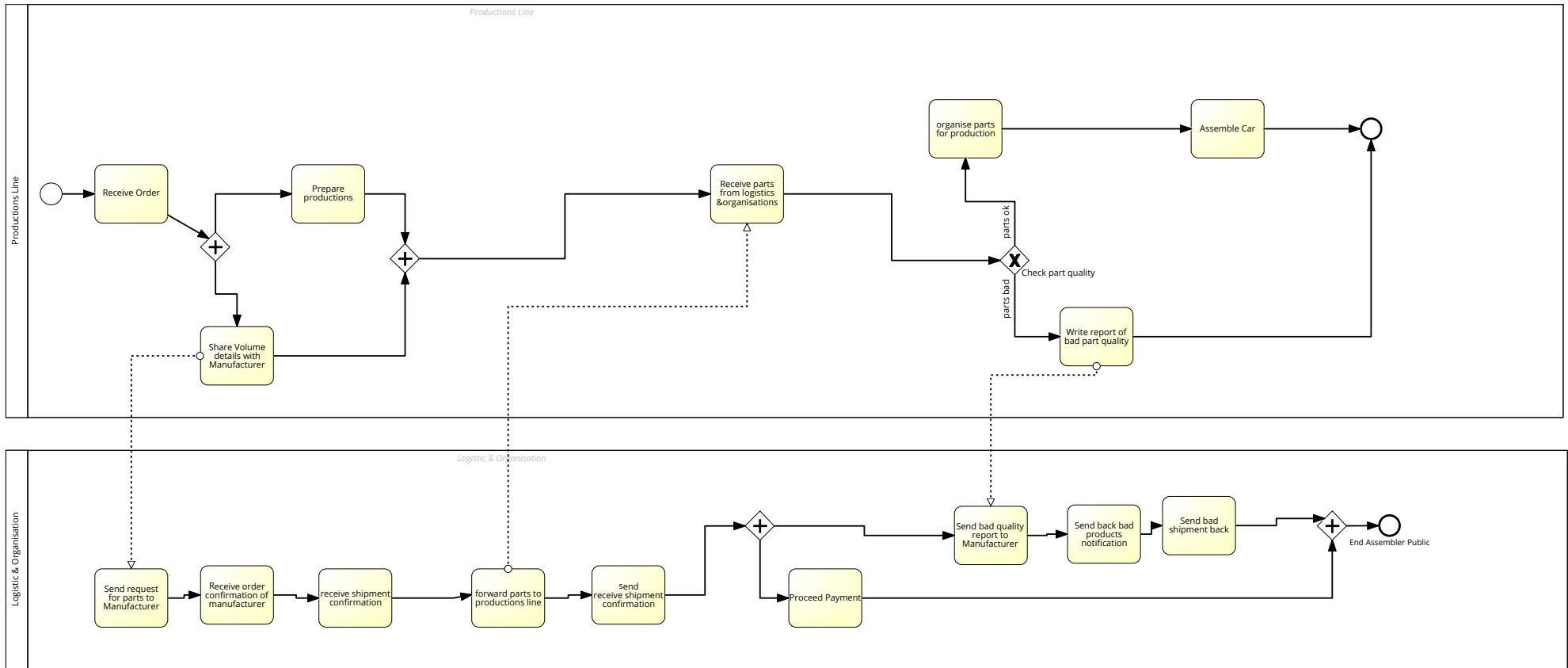
Manufacturer “Laister”

Manufacturer_laister_public_v2_l

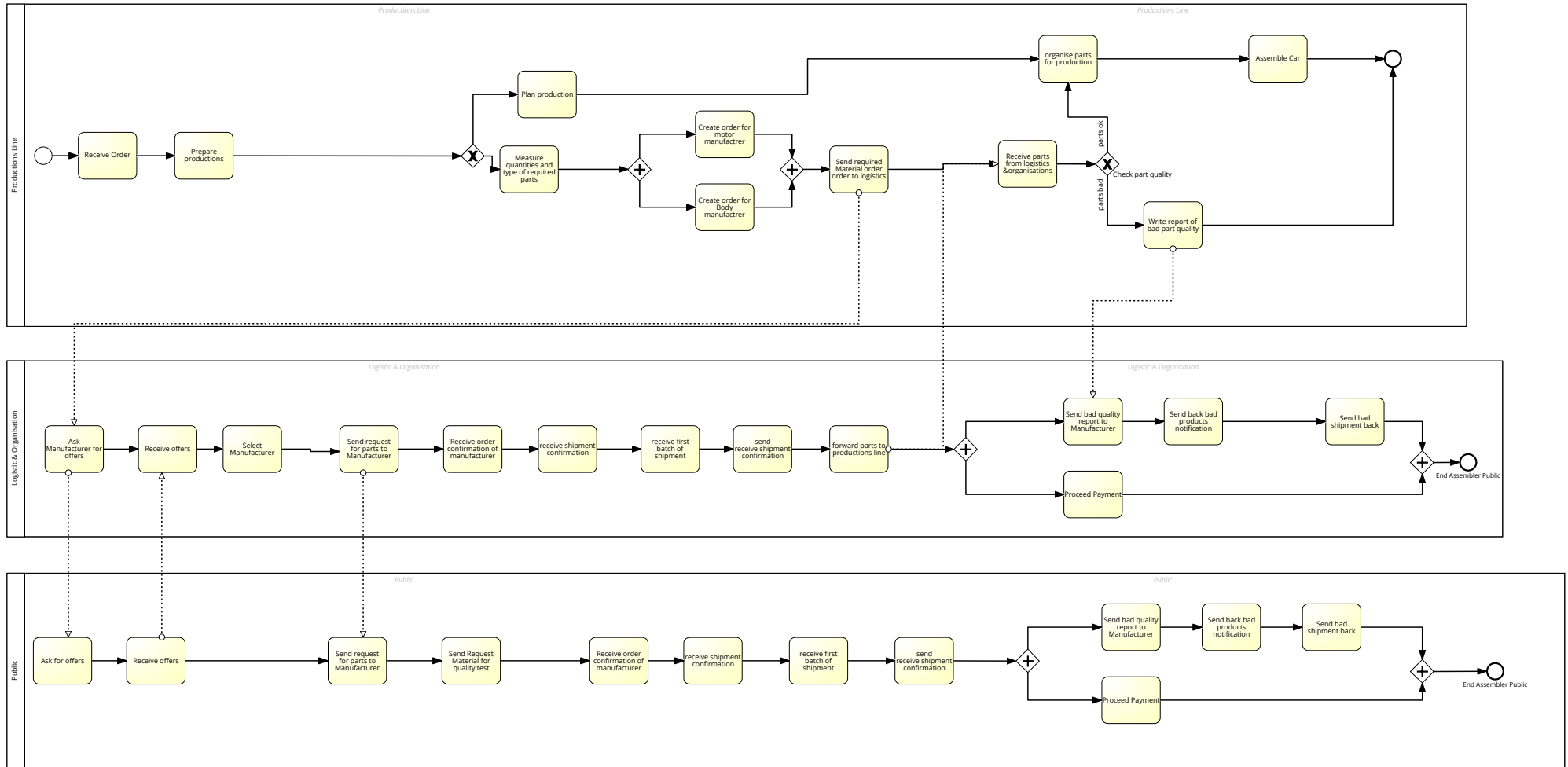


Requires a payment before deliver. This might be contradictory for the “Just in Time” delivery process

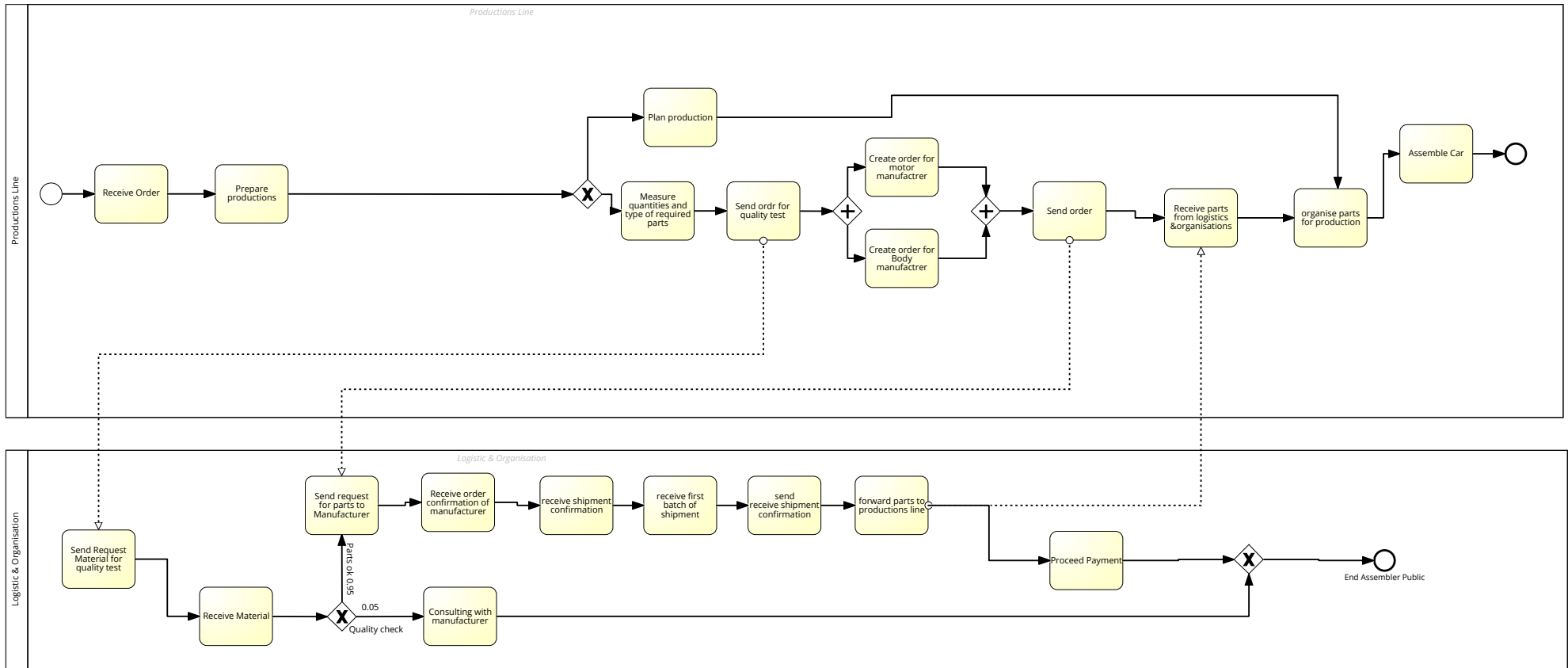
Change 2 just in time



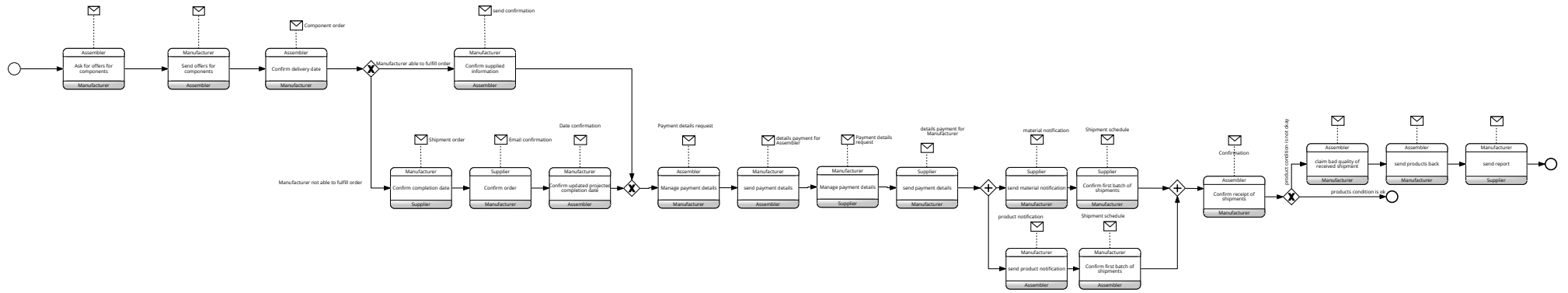
Change 3 bidding



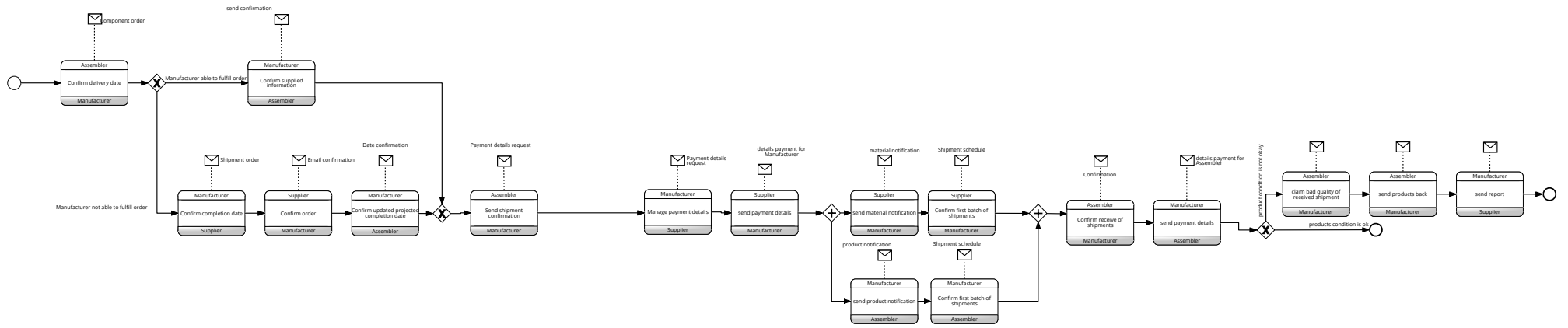
Change Quality Cooperation



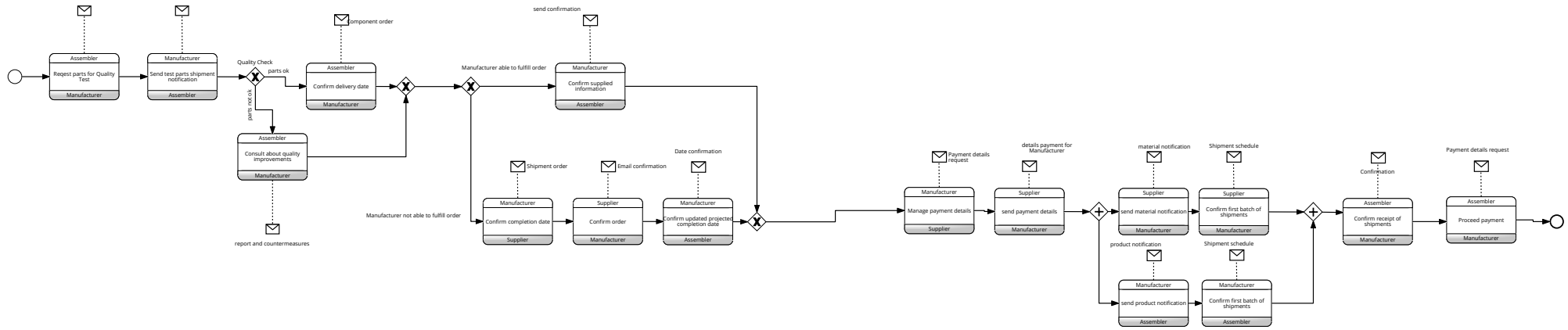
Choreo Bidding



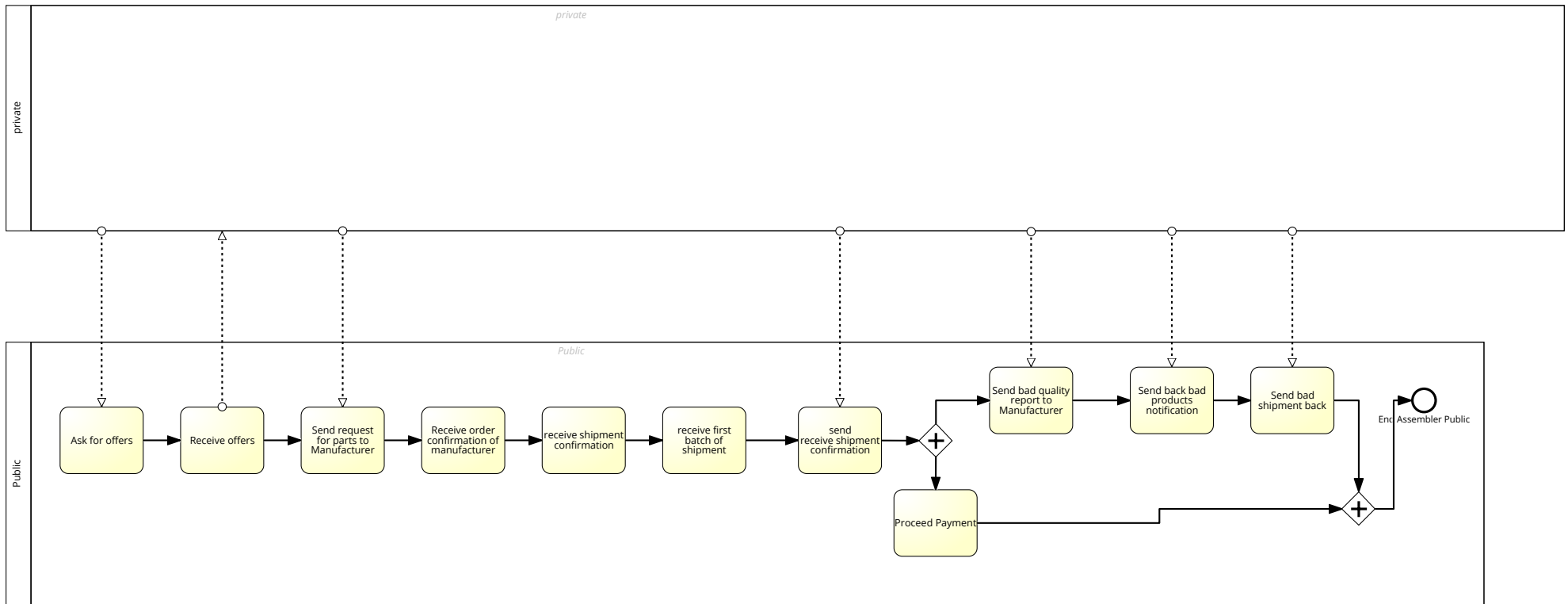
Choreo Just in Time



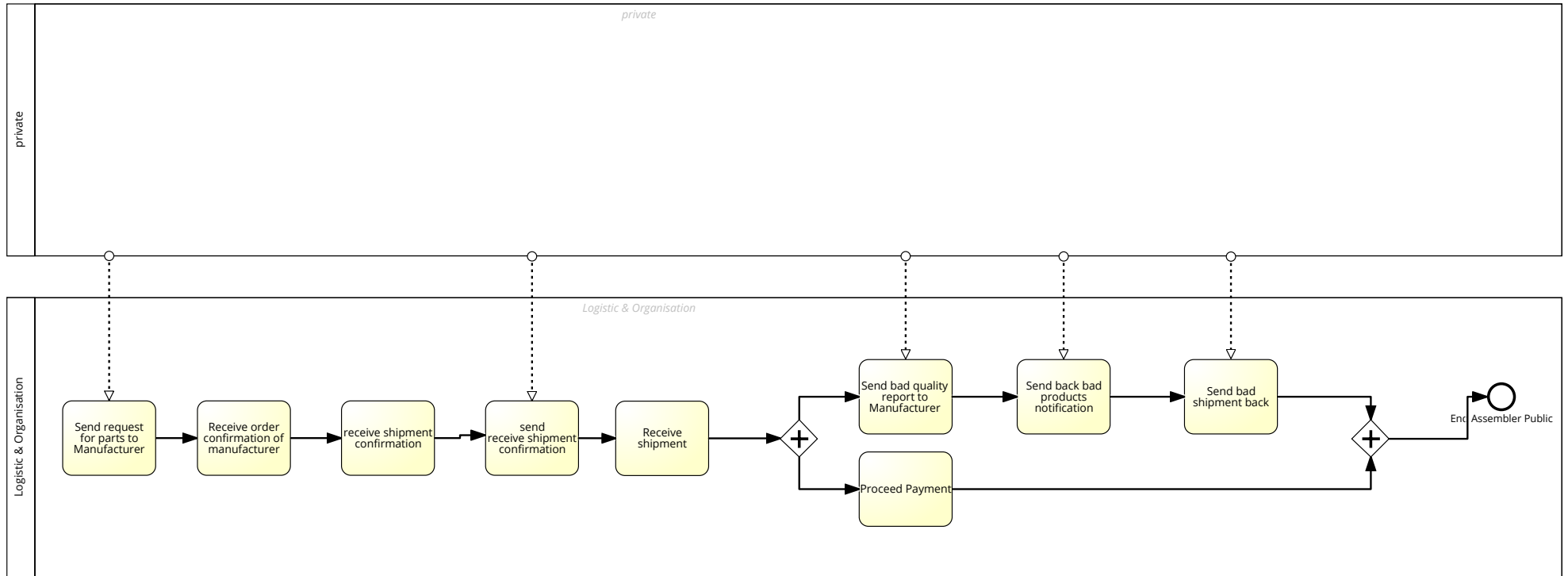
Choreo Quality Cooperation



Public Change 3 Bidding



Public Just in time



Public Quality Cooperation

